

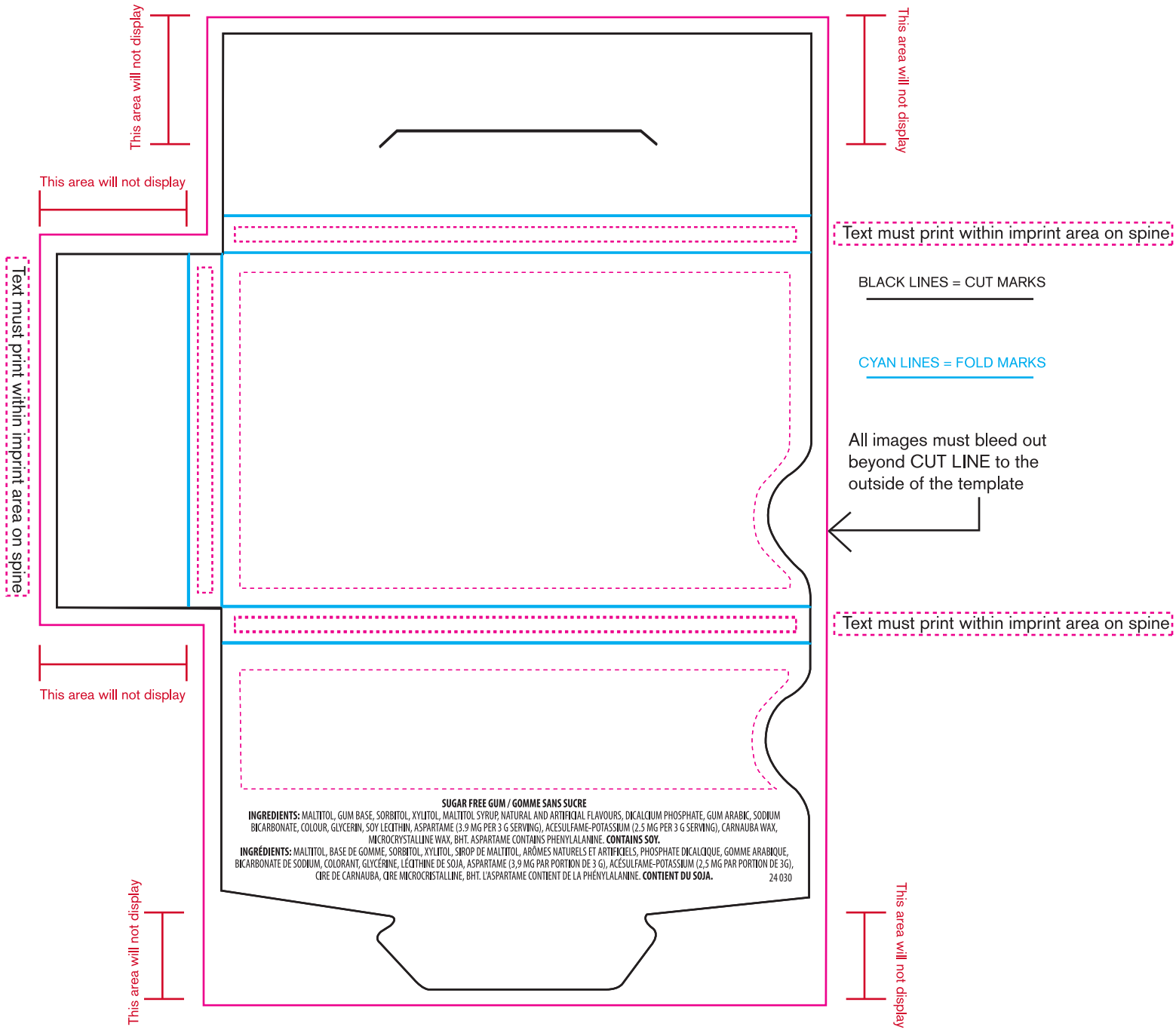
SBF 1600

Gumvelope

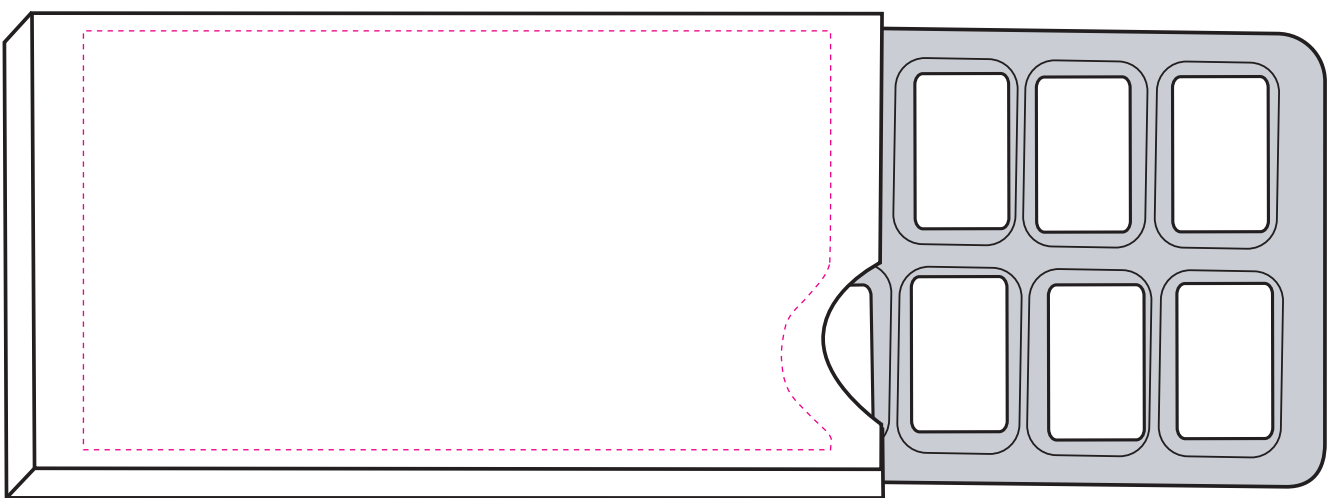
Item Size: 4 1/16" w x 2.5" h
 Max Imprint Area: **Front:** 3 3/4" w x 2 1/8" h
Back: 3 51/64 x 1 7/64
Front/Back Side: 3 51/64 x 11/64
Right Side: 5/32 x 11/64
 (Indicated By Dotted Line, Does Not Print)

Artwork @ 100%

Artwork @ 100



Front of Velope
When Folded



Rear of Velope
When Folded

